



YML01CR-AA60135H LENS



PRODUCT DESCRIPTION

Features:

- High efficiency >90%
- Available in 1 beam pattern
- Optimized for uniform effects
- Lens material Optical grade PC
- Lens without holder

Typical applications:

- Stage Lighting
- Street Lights
- Decorative Light
- Down Light

TABLE OF CONTENTS

General Information	2
Usage and Maintenance	2
2D Drawings	3
Optical Characteristics (for Cree XP-E)	3
Package Information	4
Product Nomenclature	5



General Information (T_J = 25°C)

- Compatible Led Type:

The YML01CR-AA60135H single lens is optimized for Cree Xlamp leds(CREE XP-E)⁽¹⁾

- Beam Angle Type:

An optimized profile integrate different front shape enabel the general of one lens model:oval beam (60*135deg)⁽²⁾

- The Way to Assembly:

The lens should be assembled to the PCB board or MCPCB upon LEDs which provides the most appropriate related position,so as to achieve the best uniform results.

*** Manually installation or if necessary thermal glue are recommended.**

- Fuction:

YML01CR-AA60135H provides exceptional color mixing result with the highest efficiency through careful enginnering and precision manufacturing process.

Usage and Maintenance

- 1.Clean lenses with mild soap and water and a soft cloth.
- 2.Don't use any commercial cleaning solvents on lenses,like alcohol.
- 3.Operating temperature -40°C ~+110°C (upper limit +120°C)
- 4.please handle or install lenses with wearing gloves,skin oils may damage lens or optical characteristic.

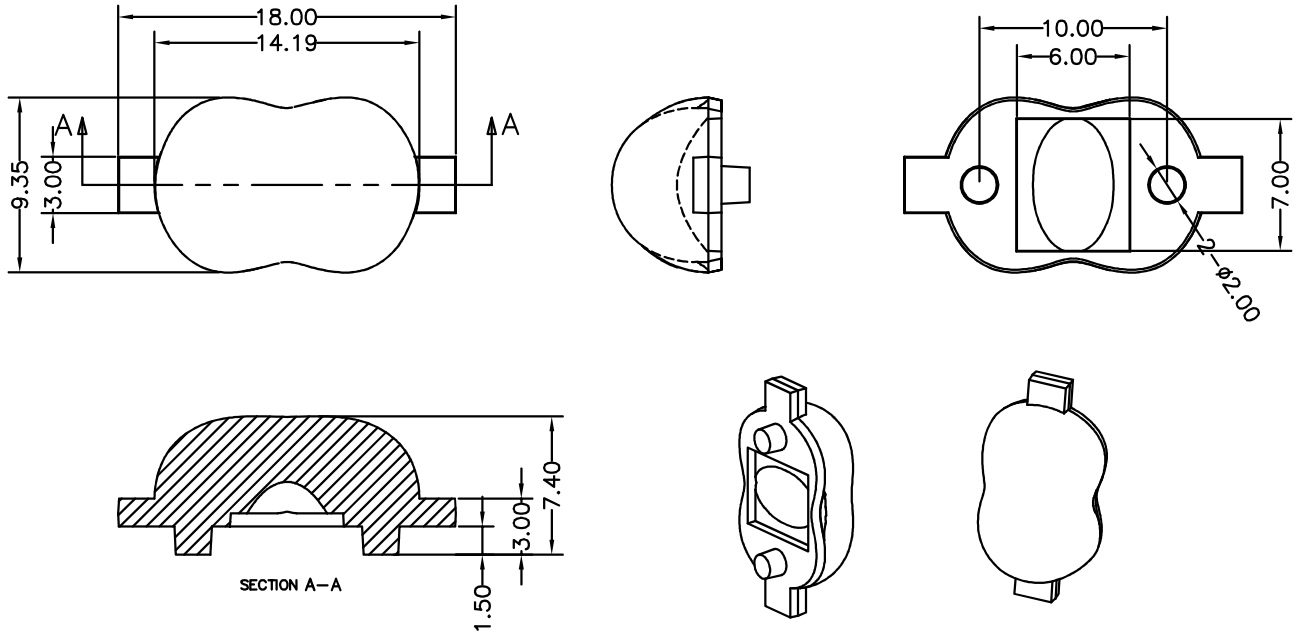
Notes:

(1) XP-E is trademark of Cree,Inc.for more technical information on leds,please refer to <http://www.cree.com/>

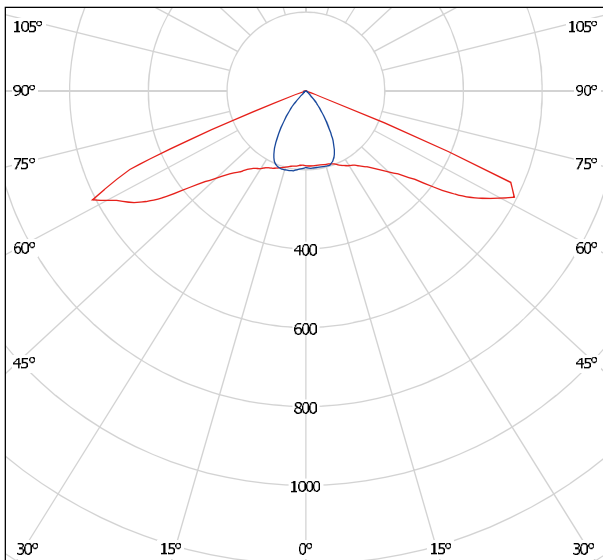
(2) Typical beam divergence will be affected by different LED manufacturers.



2D Drawings (unit:mm)



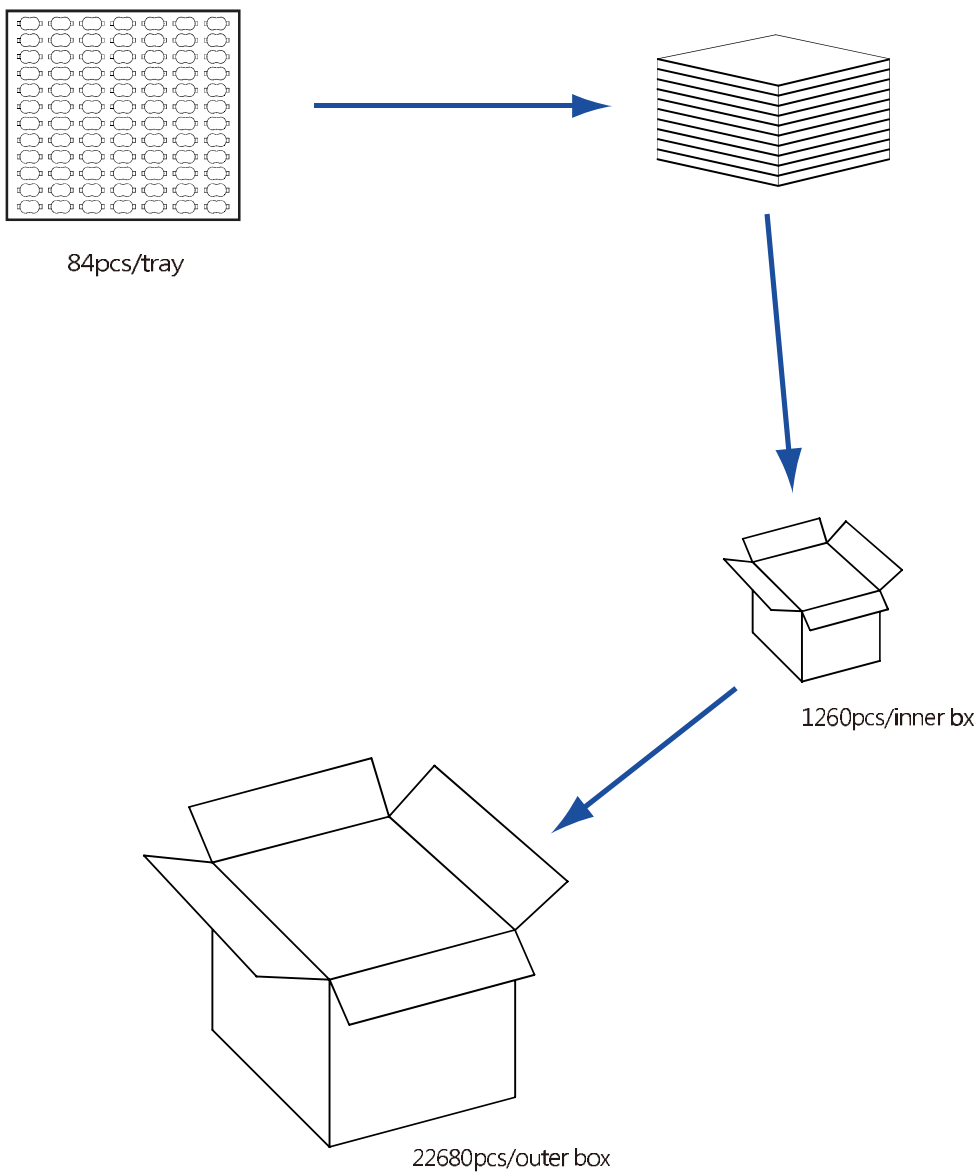
Optical Characteristics (for Cree XP-E)





Package Information

Item	Quantity	Total	Size (long*width* high)
Tray	84pcs/tray	84pcs	-
Inner box	15tray/inner box	1260pcs	12.5*12.5*12.5 cm
Outer box	18 inner box/outer box	22680pcs	42.0*39.0*28.0 cm





Product Nomenclature

