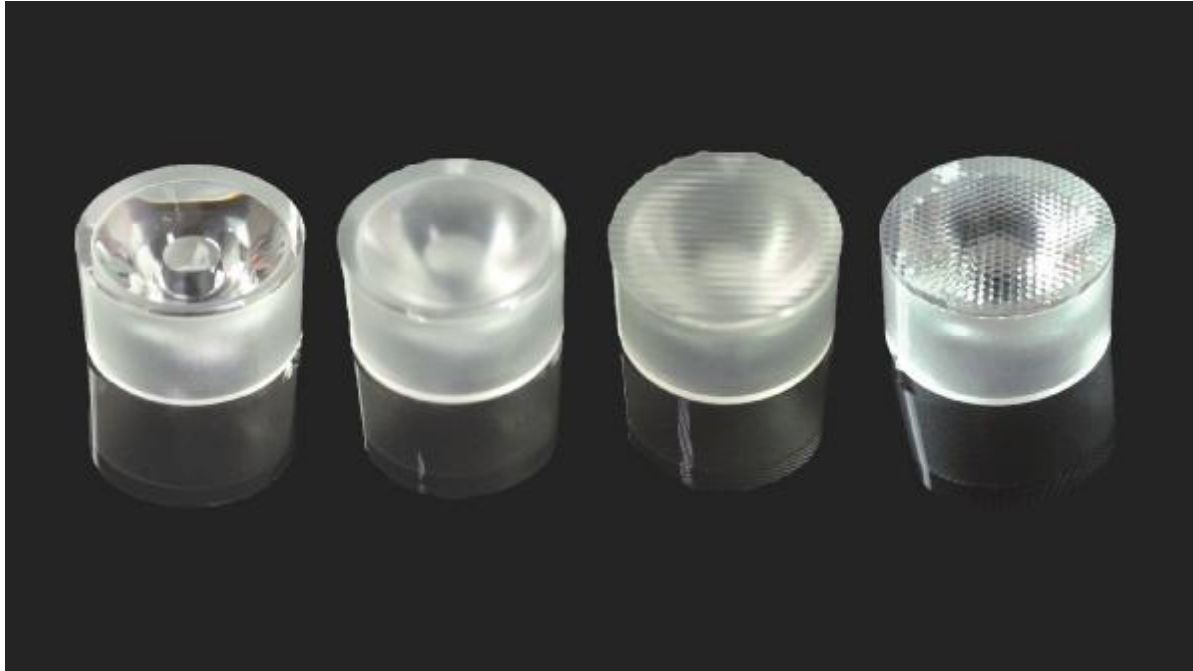




YML01CR-HXxxF LENS



PRODUCT DESCRIPTION

Features:

- High efficiency >93%
- Available in 4 beam pattern
- Optimized for uniform effects
- Lens material Optical grade PMMA
- Lens with holder

Typical applications:

- Stage Lighting
- Street Lights
- Decorative Light
- Down Light

TABLE OF CONTENTS

General Information	2
Usage and Maintenance	2
2D Drawings	3-6
Optical Characteristics (for 3030)	3-6
Package Information	7
Product Nomenclature	8



General Information (T_J = 25°C)

- Compatible Led Type:

The YML01CR-HXxxF single lens is optimized for leds (3030)⁽¹⁾

- Beam Angle Type:

An optimized profile integrate different front shape enabel the general of four lens model:medium beam (15deg;30deg;45deg and 10*65deg)⁽²⁾

- The Way to Assembly:

The lens should be assembled to the PCB board or MCPCB upon LEDs which provides the most appropriate related position,so as to achieve the best uniform results.

*** Manually installation or if necessary thermal glue are recommended.**

- Fuction:

YML01CR-HXxxF provides exceptional color mixing result with the highest efficiency through careful enginnering and precision manufacturing process.

Usage and Maintenance

- 1.Clean lenses with mild soap and water and a soft cloth.
- 2.Don't use any commercial cleaning solvents on lenses,like alcohol.
- 3.Operating temperature -25°C ~+80°C (upper limit +90°C)
- 4.please handle or install lenses with wearing gloves,skin oils may damage lens or optical characteristic.

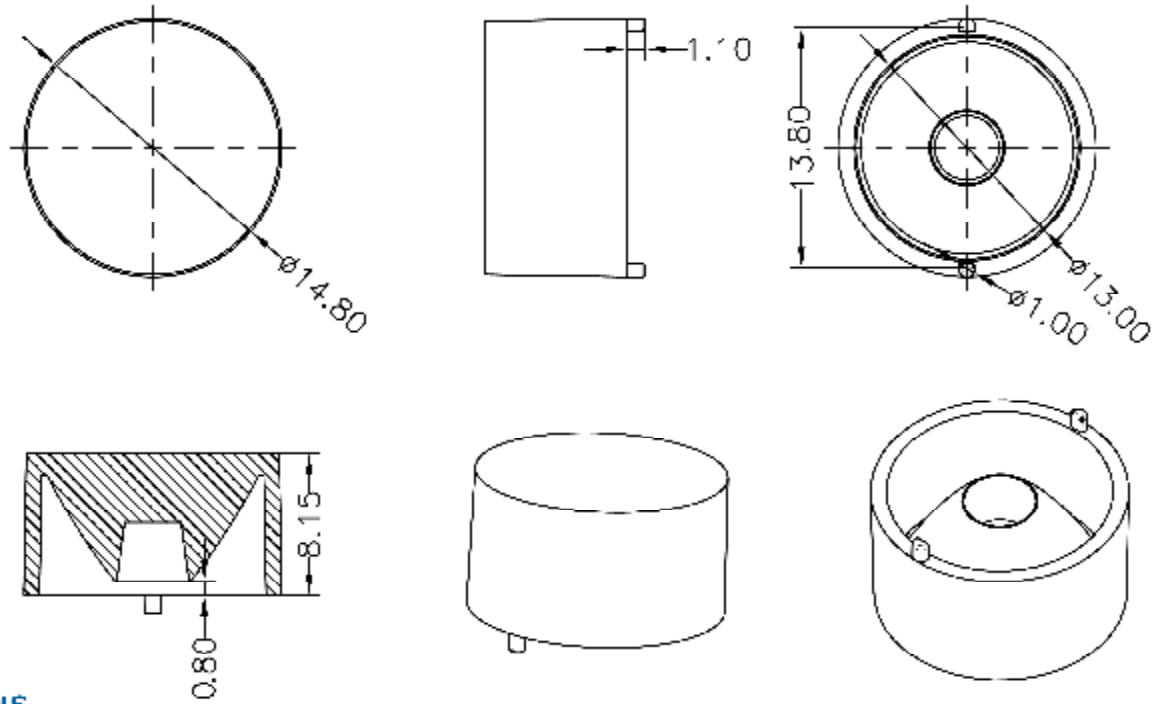
Notes:

(1) XP-E is trademark of Cree,Inc.for more technical information on leds,please refer to <http://www.cree.com/>

(2) Typical beam divergence will be affected by different LED manufacturers.

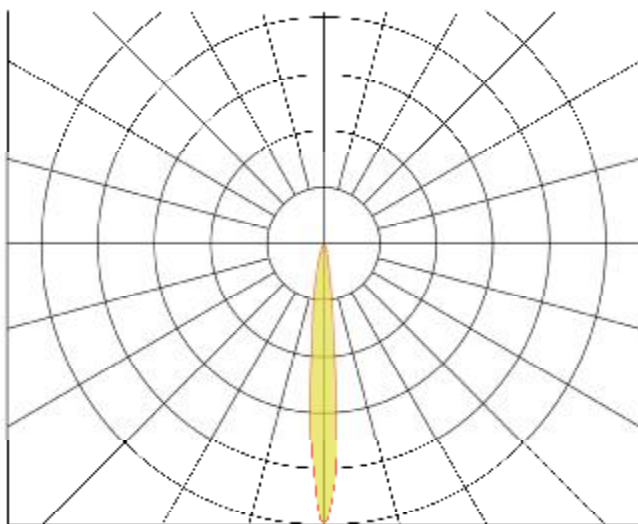


2D Drawings (unit:mm)

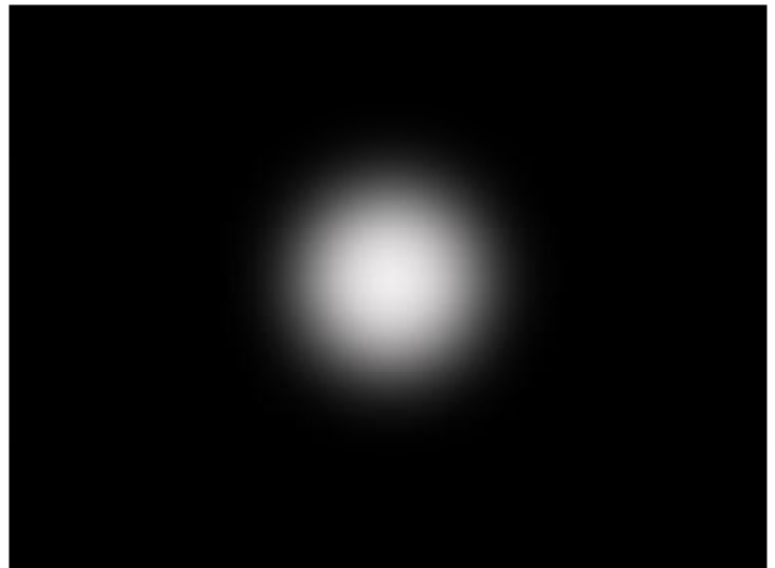


LENS

Optical Characteristics (for 3030)

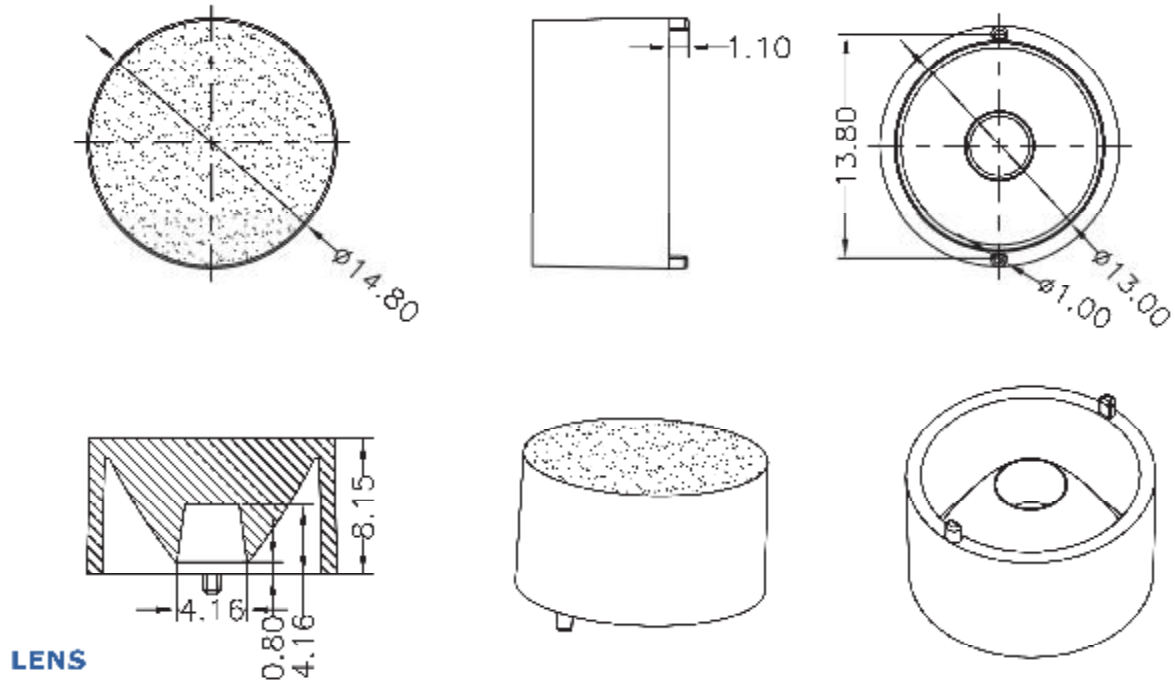


Note: The 3030 LED emitter flux is 120lm @350mA

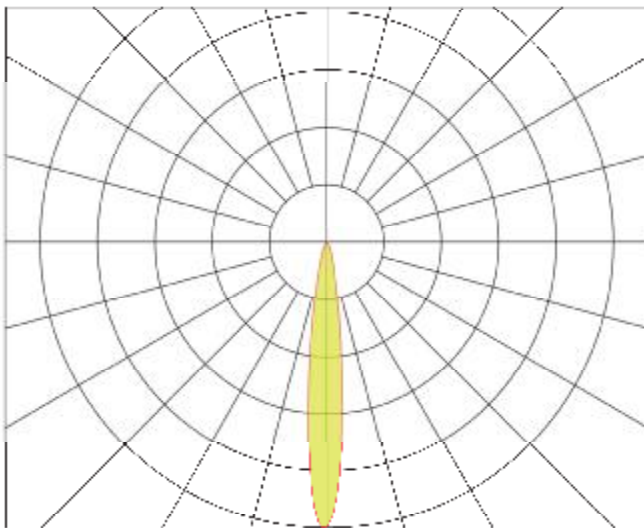




2D Drawings (unit:mm)



Optical Characteristics (for 3030)

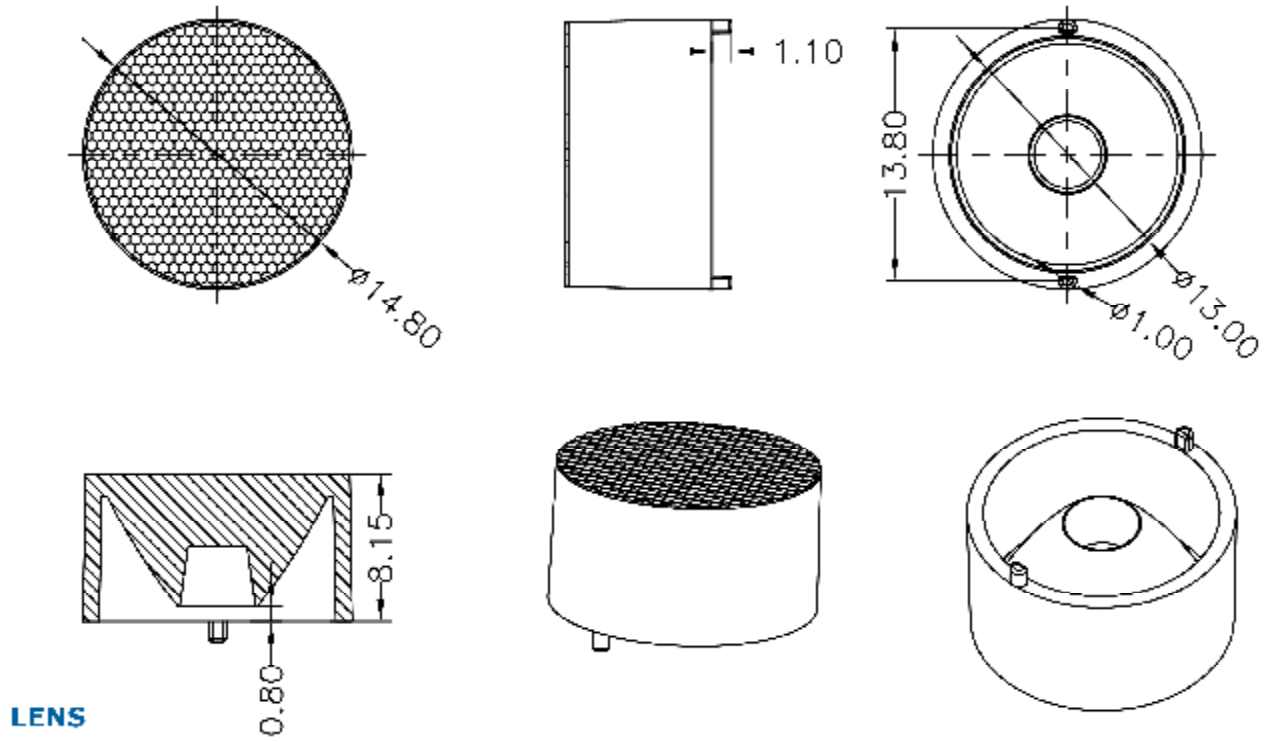


Note: The 3030 LED emitter flux is 120lm @350mA

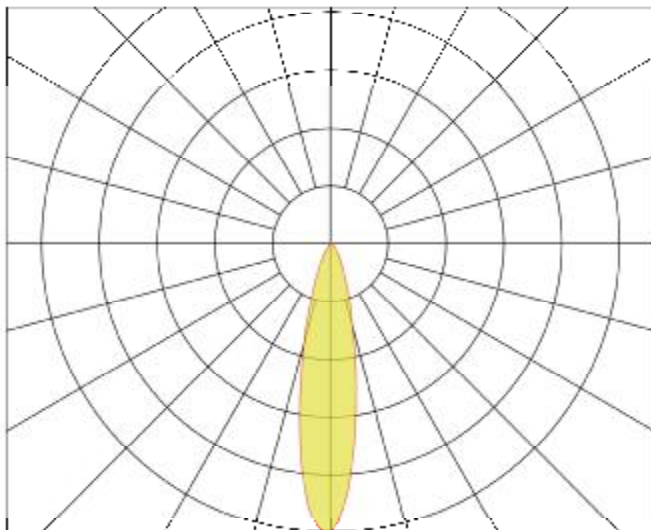




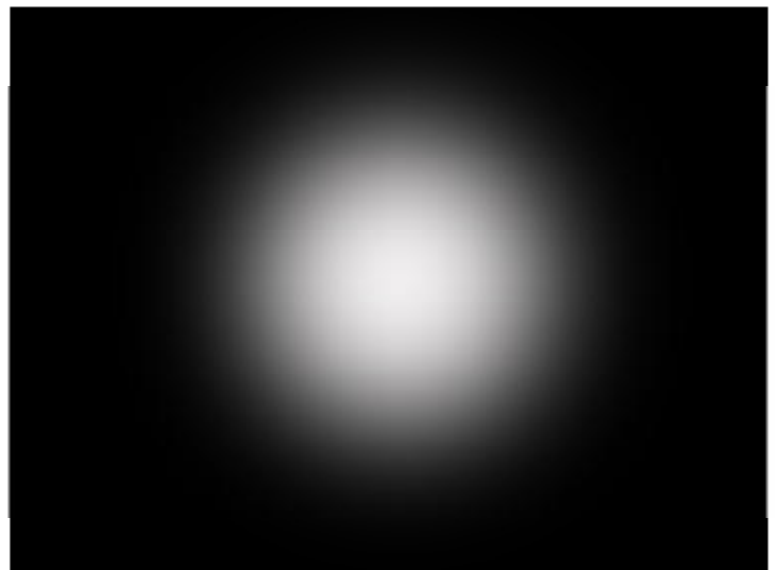
2D Drawings (unit:mm)



Optical Characteristics (for 3030)

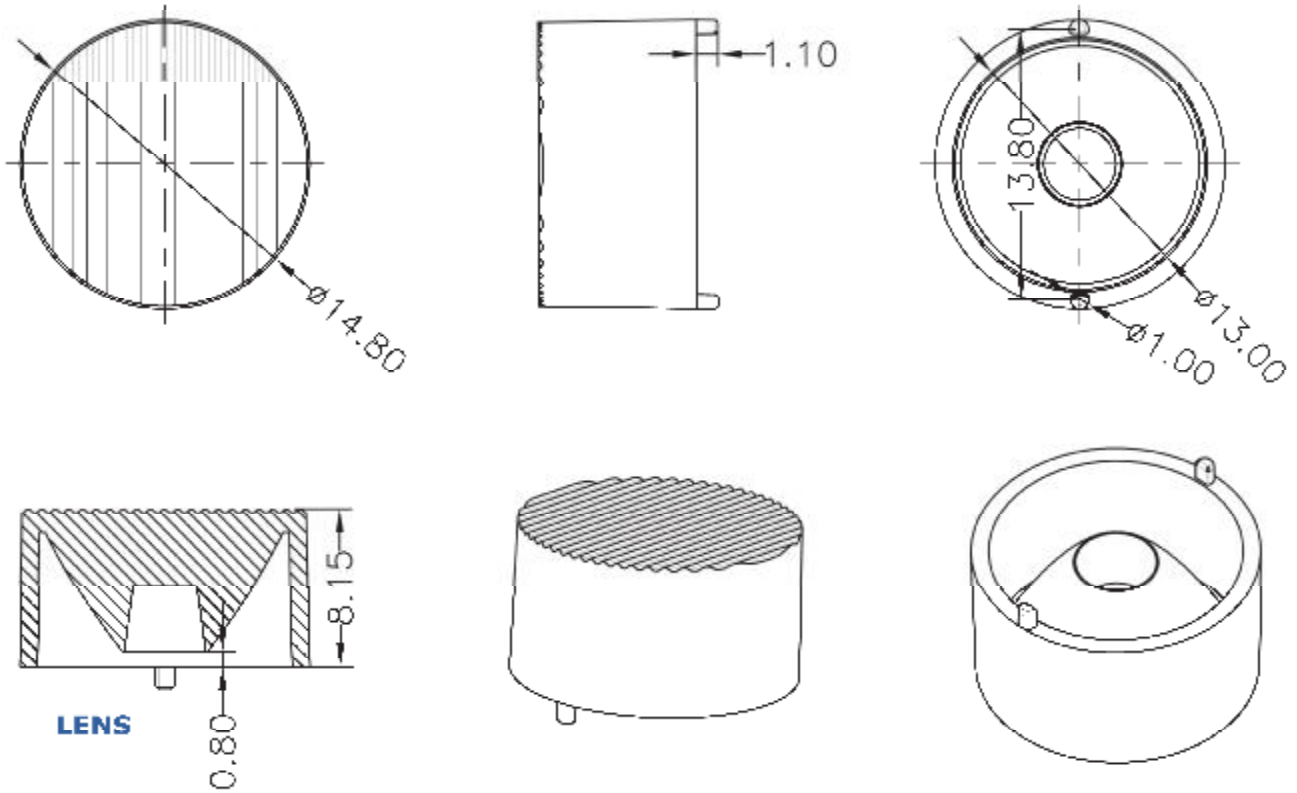


Note: The 3030 LED emitter flux is 120lm @350mA

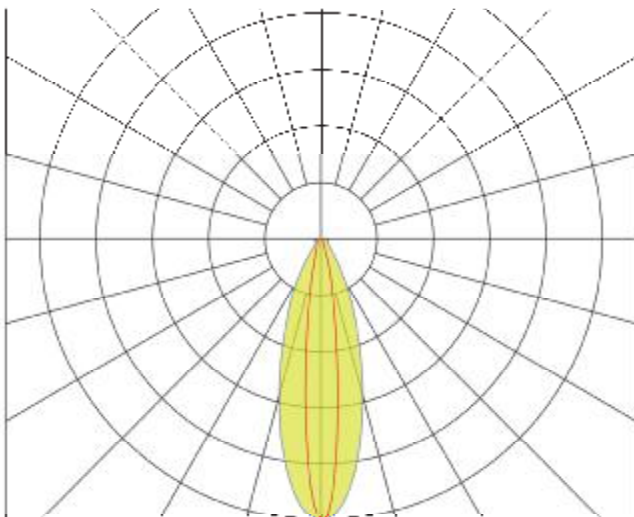




2D Drawings (unit:mm)



Optical Characteristics (for 3030)



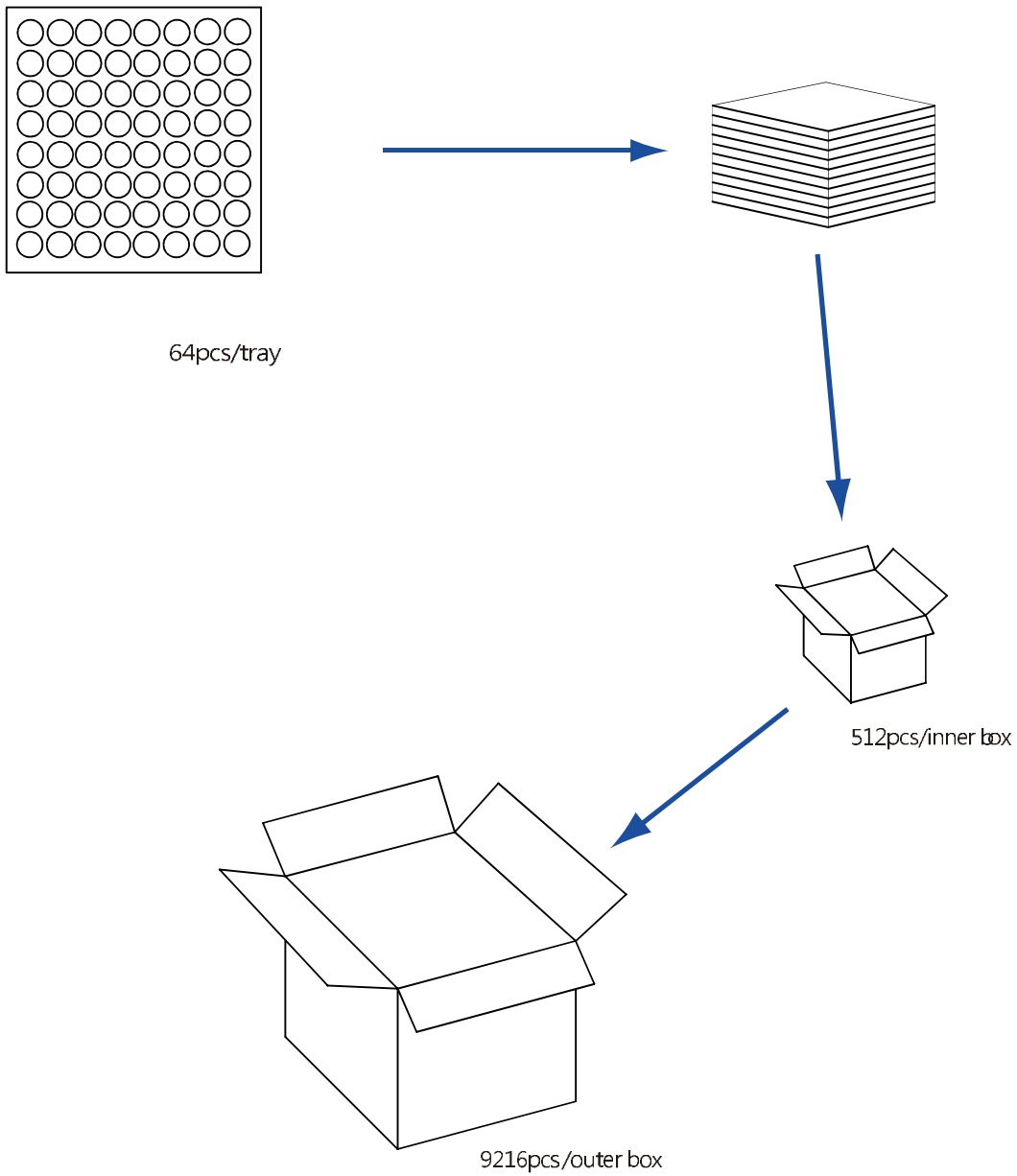
Note: The 3030 LED emitter flux is 120lm @350mA





Package Information

Item	Quantity	Total	Size (long*width* high)
Tray	64pcs/tray	64pcs	-
Inner box	8 tray/inner box	512pcs	12.5*12.5*12.5 cm
Outer box	18 inner box/outer box	9216pcs	42.0*39.0*39.0 cm





Product Nomenclature

