



YML01ZZ-HBxxF LENS



PRODUCT DESCRIPTION

Features:

- High efficiency >88%
- Available in 3 beam pattern
- Optimized for uniform effects
- Lens material Optical grade PC
- Lens without holder

Typical applications:

- Stage Lighting
- Street Lights
- Decorative Light
- Down Light

TABLE OF CONTENTS

General Information	2
Usage and Maintenance	2
2D Drawings	3
Optical Characteristics (for 5050)	3
Package Information	4
Product Nomenclature	5



General Information (T_J = 25°C)

- Compatible Led Type:

The YML01ZZ-HBxxF single lens is optimized for leds (5050)⁽¹⁾

- Beam Angle Type:

An optimized profile integrate different front shape enabel the general of three lens model:medium beam (40 deg;60 deg;10*65 deg)⁽²⁾

- The Way to Assembly:

The lens should be assembled to the PCB board or MCPCB upon LEDs which provides the most appropriate related position,so as to achieve the best uniform results.

*** Manually installation or if necessary thermal glue are recommended.**

- Fuction:

YML01ZZ-HBxxF provides exceptional color mixing result with the highest efficiency through careful enginnering and precision manufacturing process.

Usage and Maintenance

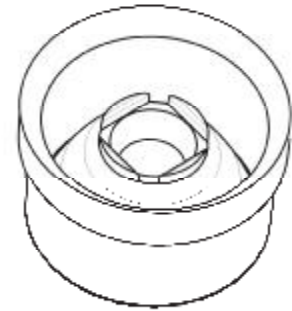
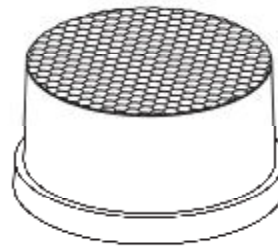
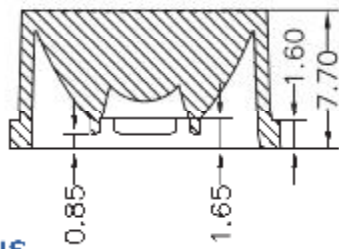
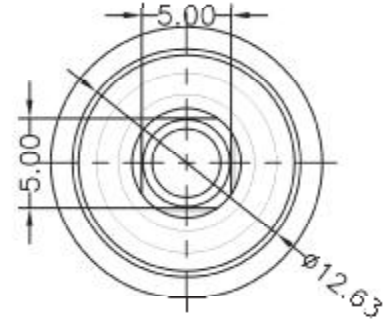
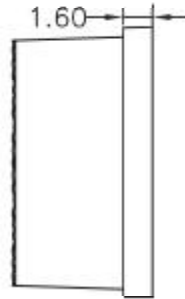
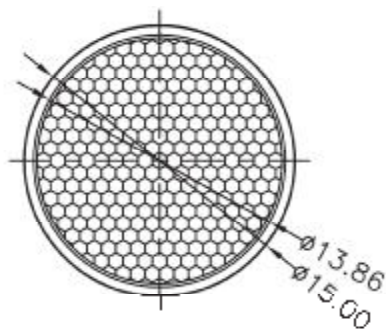
- 1.Clean lenses with mild soap and water and a soft cloth.
- 2.Don't use any commercial cleaning solvents on lenses,like alcohol.
- 3.Operating temperature -40°C ~ +110°C (upper limit +120°C)
- 4.please handle or install lenses with wearing gloves,skin oils may damage lens or optical characteristic.

Notes:

(1) Typical beam divergence will be affected by different LED manufacturers.

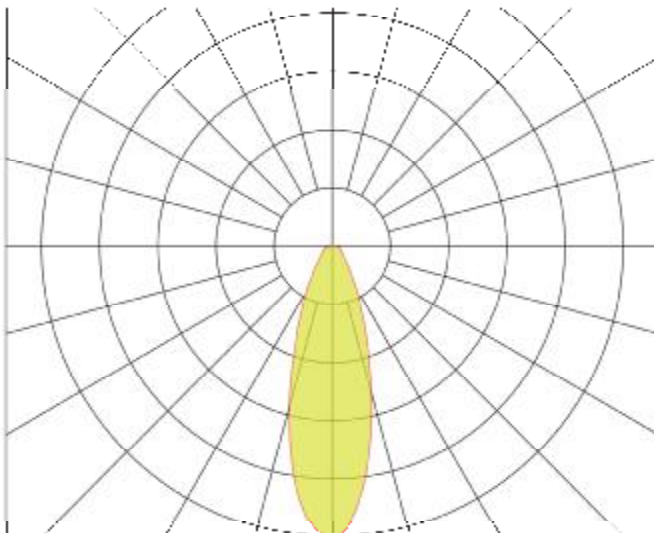


2D Drawings (unit:mm)



LENS

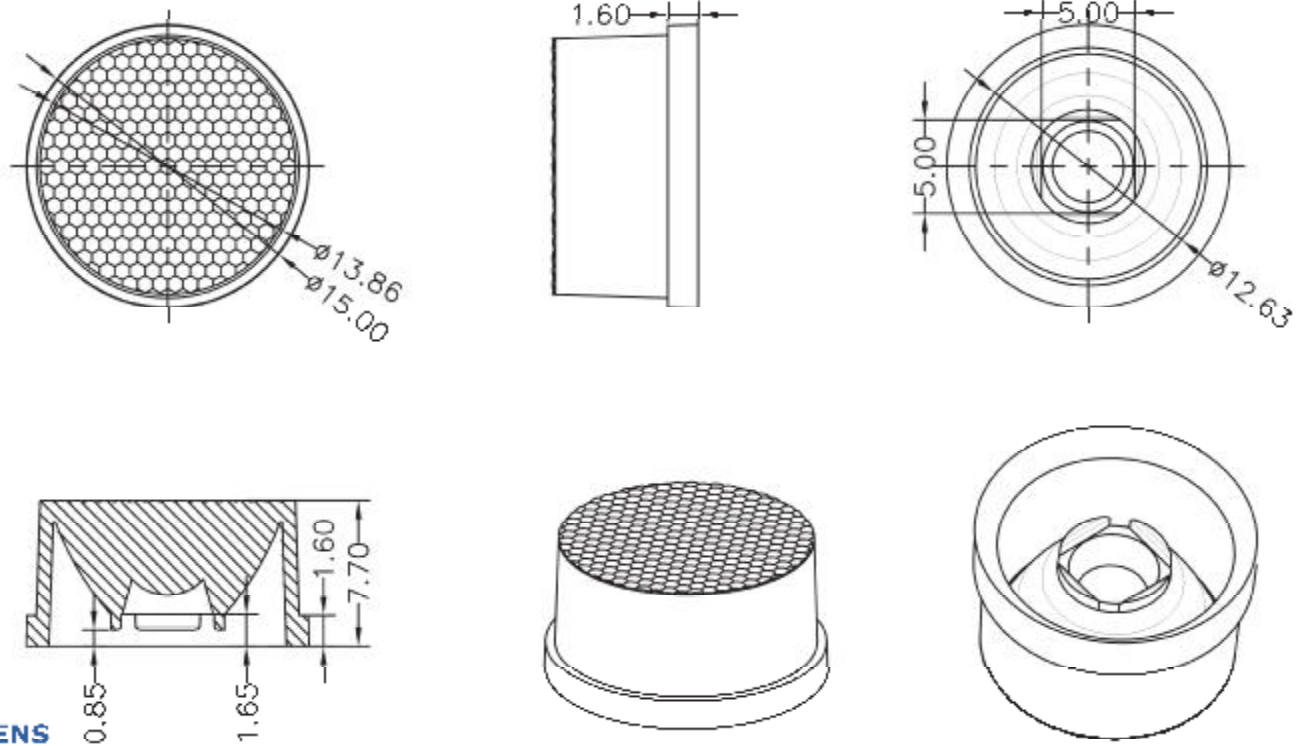
Optical Characteristics (for 5050)



Note: The LED emitter flux is 120lm @350mA

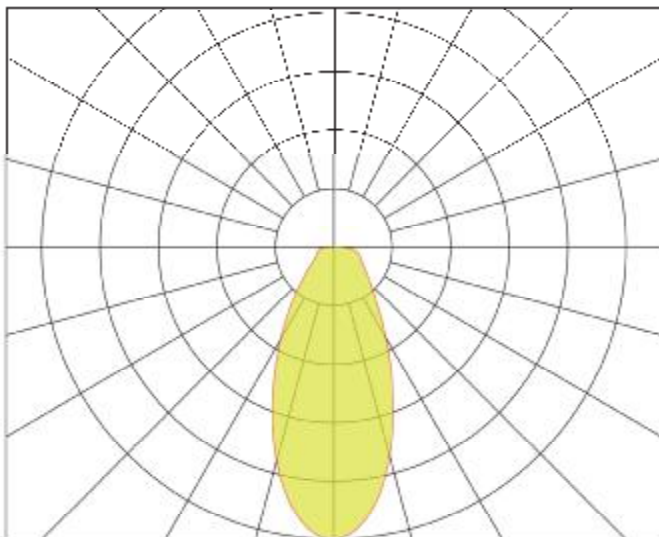


2D Drawings (unit:mm)



LENS

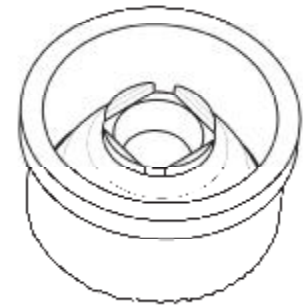
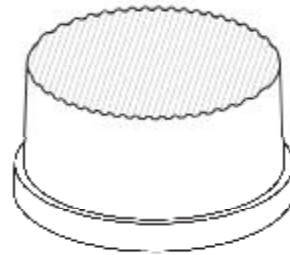
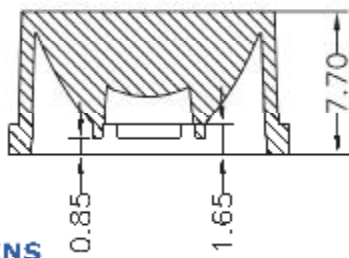
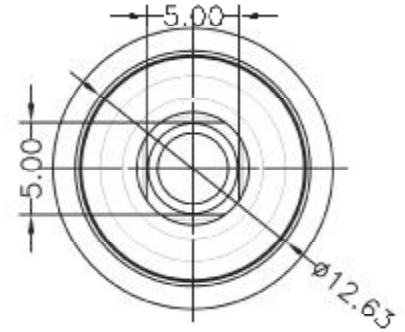
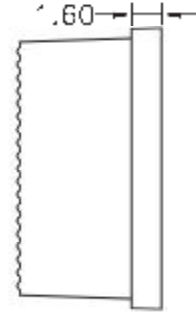
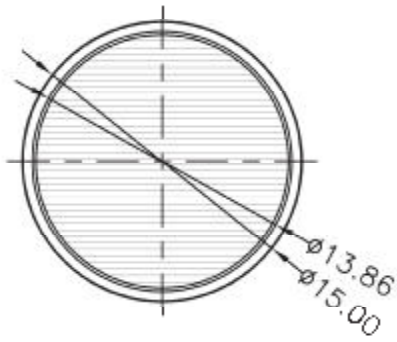
Optical Characteristics (for 5050)



Note: The LED emitter flux is 120lm @350mA

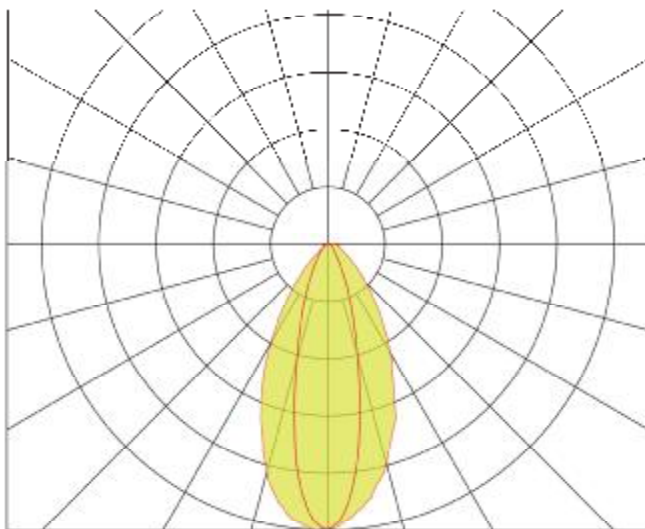


2D Drawings (unit:mm)



LENS

Optical Characteristics (for 5050)

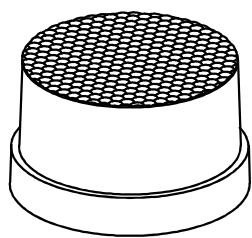


Note: The LED emitter flux is 120lm @350mA

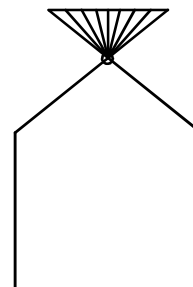


Package Information

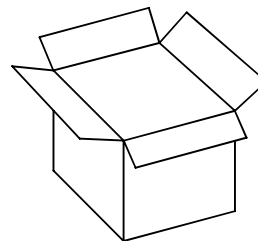
Item	Quantity	Total	Size (long*width* high)
Bag	800pcs/bag	800pcs	-
Inner box	1 bag/Inner box	800pcs	12.5*12.5*12.5 cm
Outer box	18 Inner box/bag	14400pcs	42.0*39.0*28.0 cm



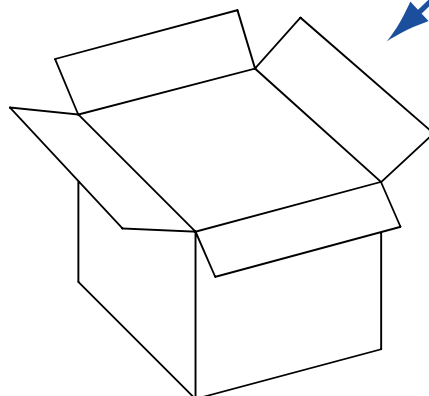
1pcs product



800pcs/Bag



1bag/Inner box



14400pcs /Outer box



Product Nomenclature

