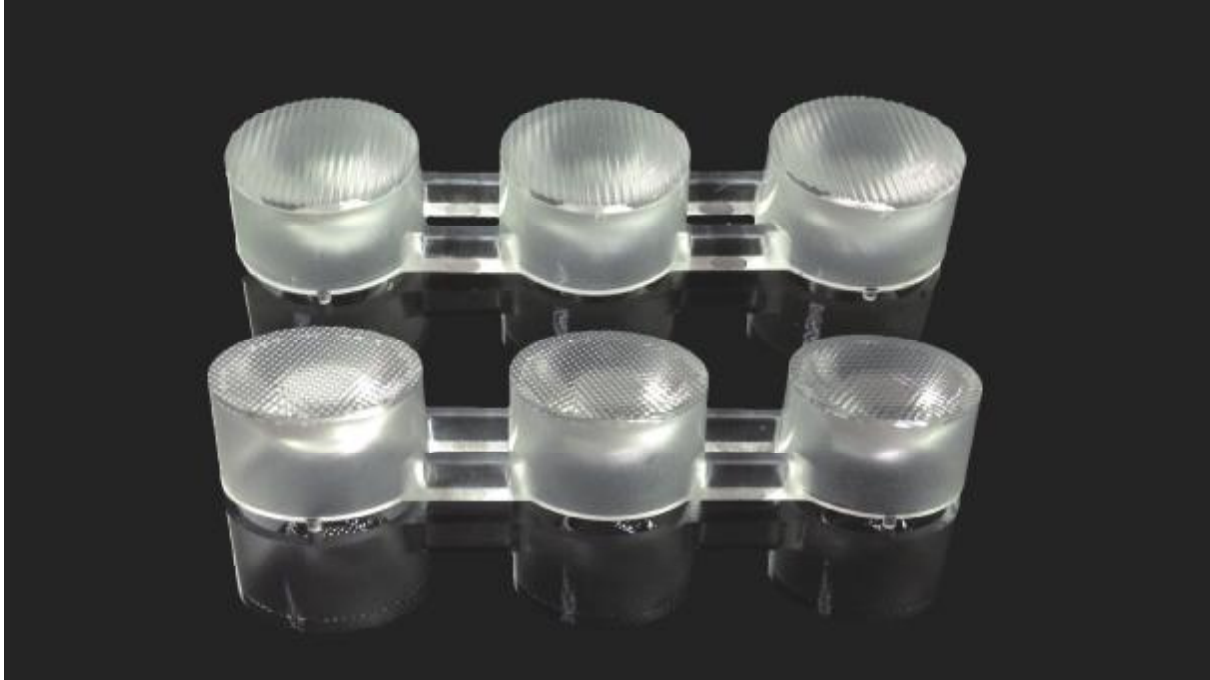




YML03ZZ-FBxxF LENS



PRODUCT DESCRIPTION

Features:

- High efficiency >90%
- Available in 3 beam pattern
- Optimized for uniform effects
- Lens material Optical grade PMMA
- Lens without holder

Typical applications:

- Stage Lighting
- Street Lights
- Decorative Light
- Down Light

TABLE OF CONTENTS

General Information	2
Usage and Maintenance	2
2D Drawings	3
Optical Characteristics (for quancai5050)	3
Package Information	4
Product Nomenclature	5



General Information (T_J = 25°C)

- **Compatible Led Type:**

The YML03ZZ-FBxx F single lens is optimized for leds (quancai 5050) ⁽¹⁾

- **Beam Angle Type:**

An optimized profile integrate different front shape enabel the general of three lens model:medium beam (30 deg;65 deg;20*65 deg) ⁽²⁾

- **The Way to Assembly:**

The lens should be assembled to the PCB board or MCPCB upon LEDs which provides the most appropriate related position,so as to achieve the best uniform results.

*** Manually installation or if necessary thermal glue are recommended.**

- **Fuction:**

YML03ZZ-FBxxF provides exceptional color mixing result with the highest efficiency through careful enginnering and precision manufacturing process.

Usage and Maintenance

- 1.Clean lenses with mild soap and water and a soft cloth.
- 2.Don't use any commercial cleaning solvents on lenses,like alcohol.
- 3.Operating temperature -40°C ~+80°C (upper limit +90°C)
- 4.please handle or install lenses with wearing gloves,skin oils may damage lens or optical characteristic.

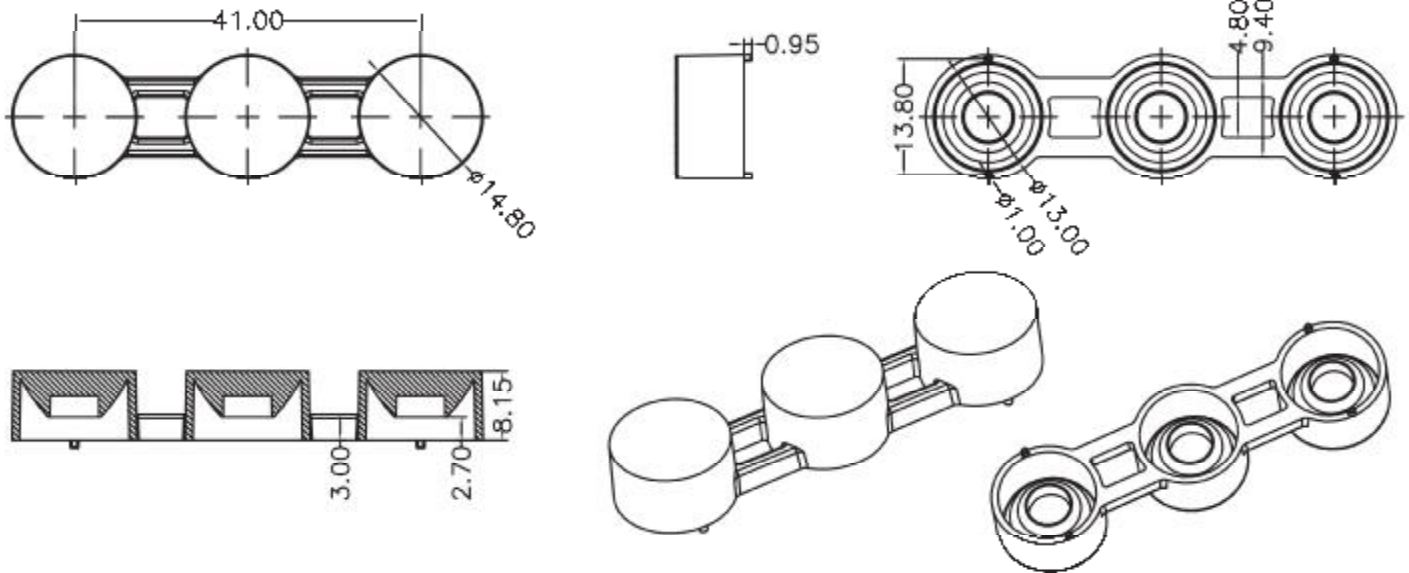
Notes:

(1) XP-E is trademark of Cree,Inc.for more technical information on leds,please refer to <http://www.cree.com/>

(2) Typical beam divergence will be affected by different LED manufacturers.

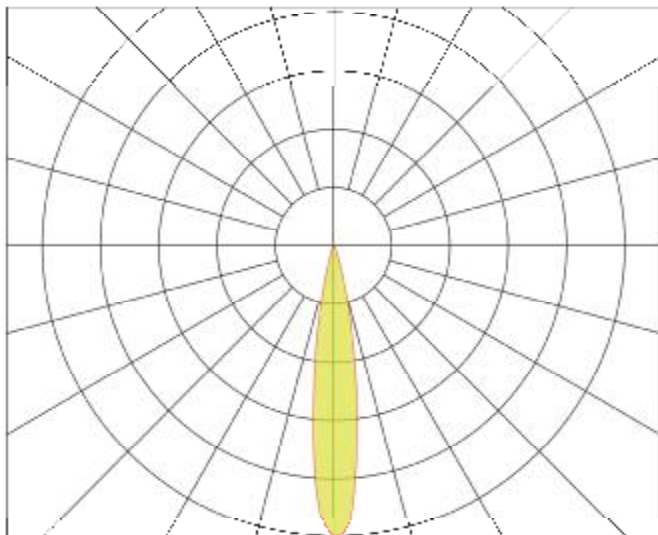


2D Drawings (unit:mm)



LENS

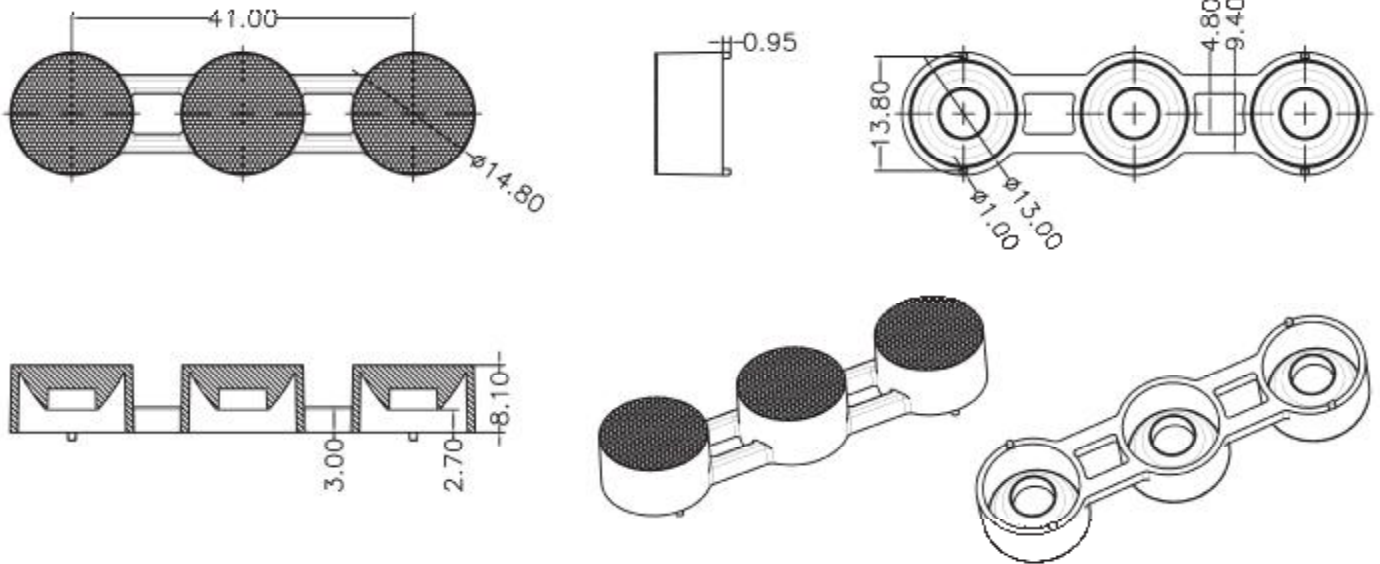
Optical Characteristics (for quancai 5050)



Note: The LED emitter flux is 120lm @350mA

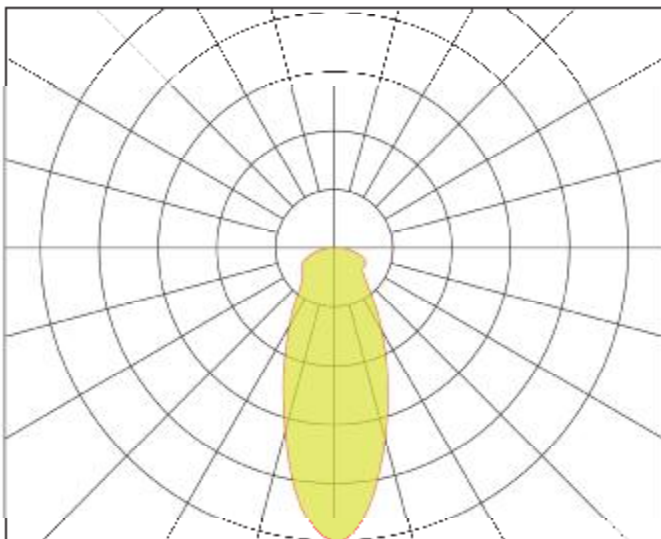


2D Drawings (unit:mm)



LENS

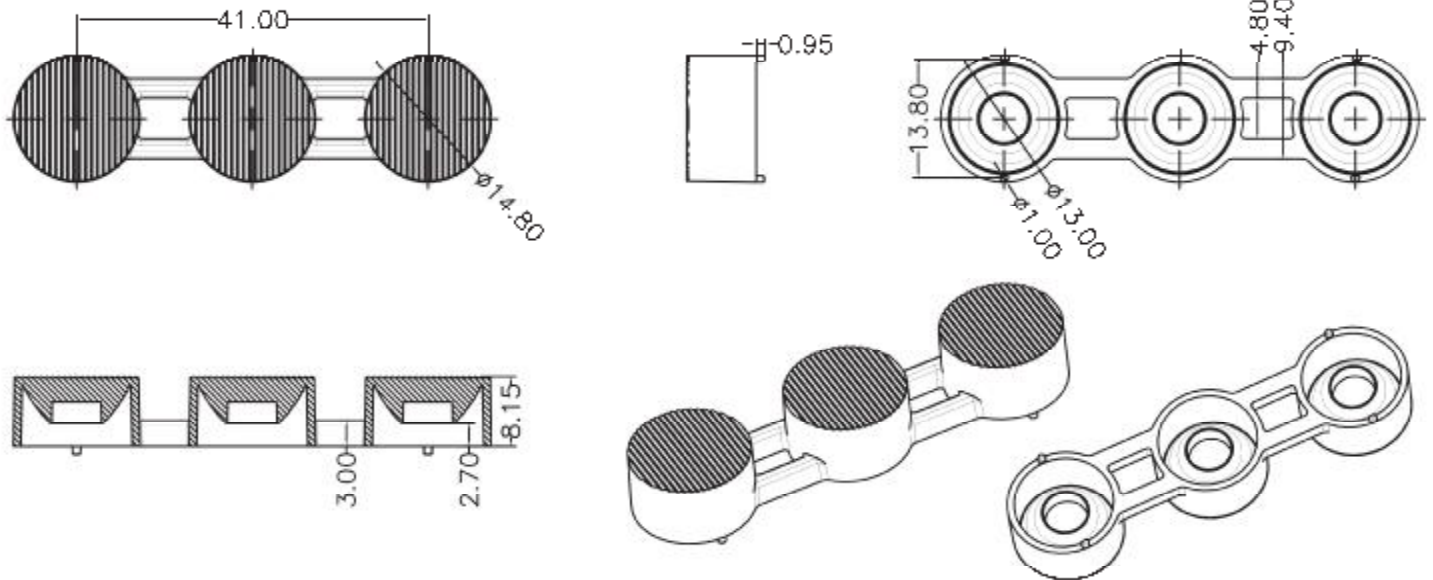
Optical Characteristics (for quancai 5050)



Note: The LED emitter flux is 120lm @350mA

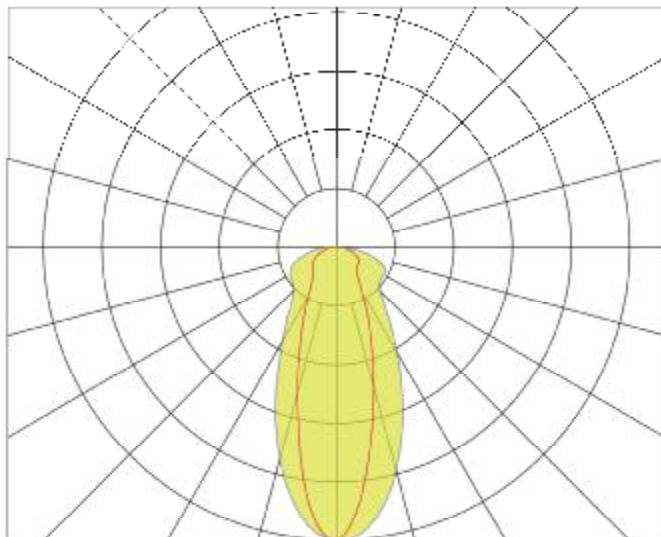


2D Drawings (unit:mm)



LENS

Optical Characteristics (for quancai 5050)



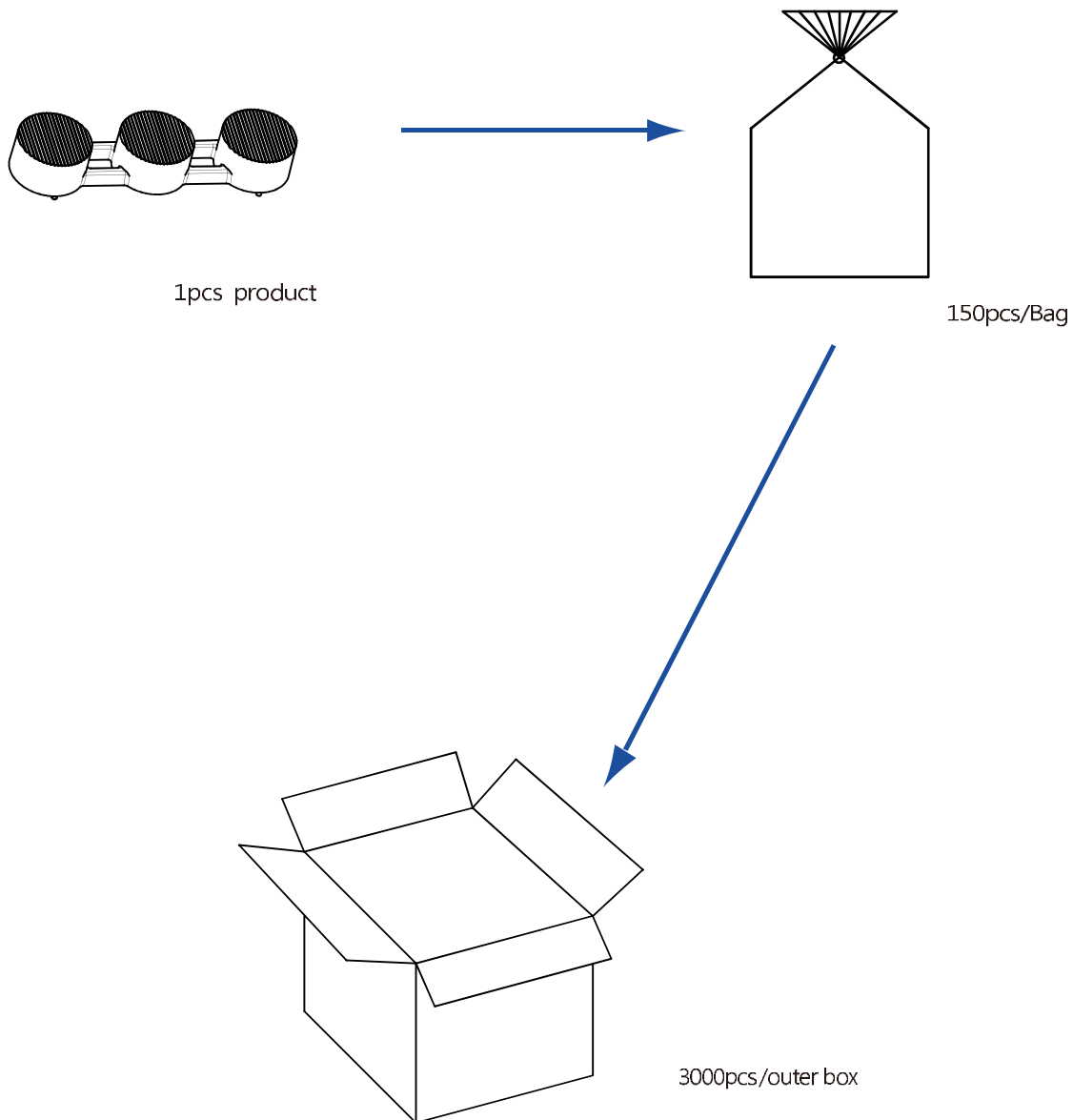
Note: The LED emitter flux is 120lm @350mA





Package Information

Item	Quantity	Total	Size (long*width* high)
Bag	150pcs/bag	150pcs	-
Outer box	20bag /outer box	3000pcs	42.0*39.0*28.0 cm





Product Nomenclature

